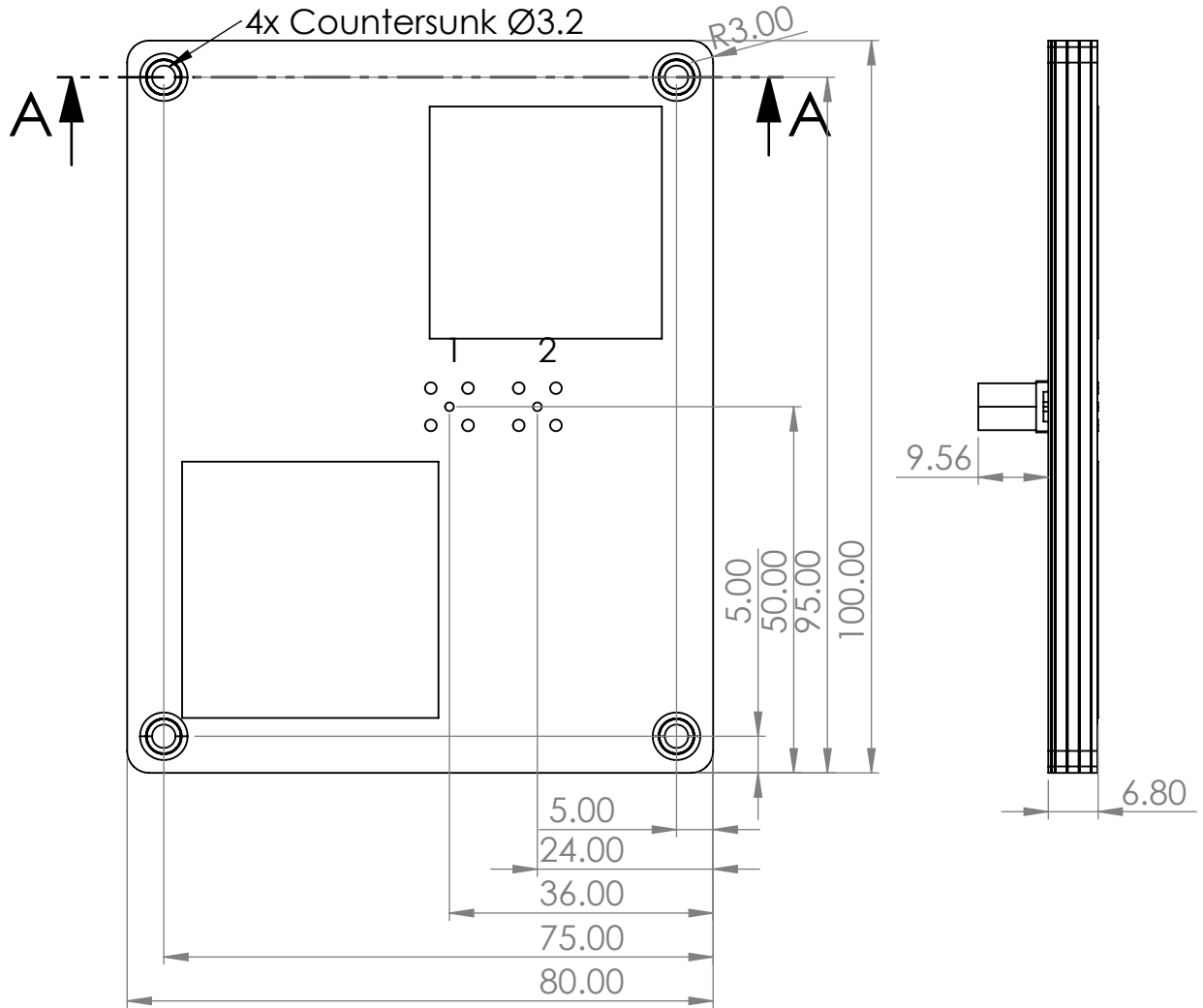


SECTION A-A



Port 1: SMA, 2025-2110 MHz, RHCP, Gain:  $5.5 \pm 0.3$  dBi, HPBW:  $87 \pm 4^\circ$   
 Port 2: SMA, 2200-2290 MHz, RHCP, Gain:  $6.1 \pm 0.2$  dBi, HPBW:  $85 \pm 4^\circ$   
 VSWR:  $< 1.5 : 1$

UNLESS OTHERWISE SPECIFIED:  
 DIMENSIONS ARE IN MILLIMETERS  
 SURFACE FINISH:  
 TOLERANCES:  
 LINEAR: 0.1 mm  
 ANGULAR: 1 deg

FINISH:

AU

DEBURR AND  
 BREAK SHARP  
 EDGES

DO NOT SCALE DRAWING

REVISION

1.0



TITLE:  
 S-band dual  
 patch antenna

DWG NO.  
 SAS-2

A4

MATERIAL:

Rogers RO4003C

WEIGHT:

107 g

SCALE: 1:1

SHEET 1 OF 1

A

A

4

3

2

1